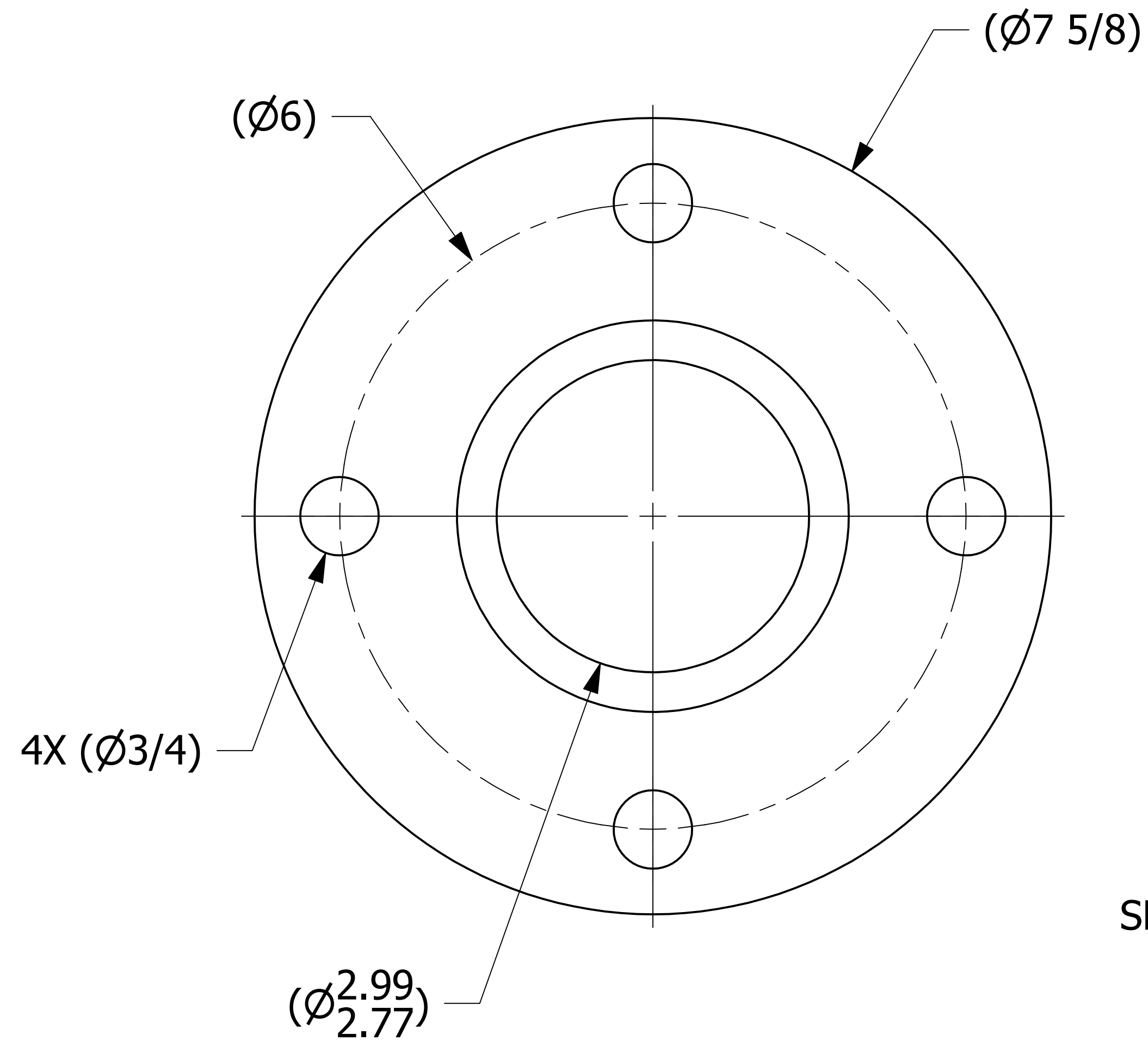
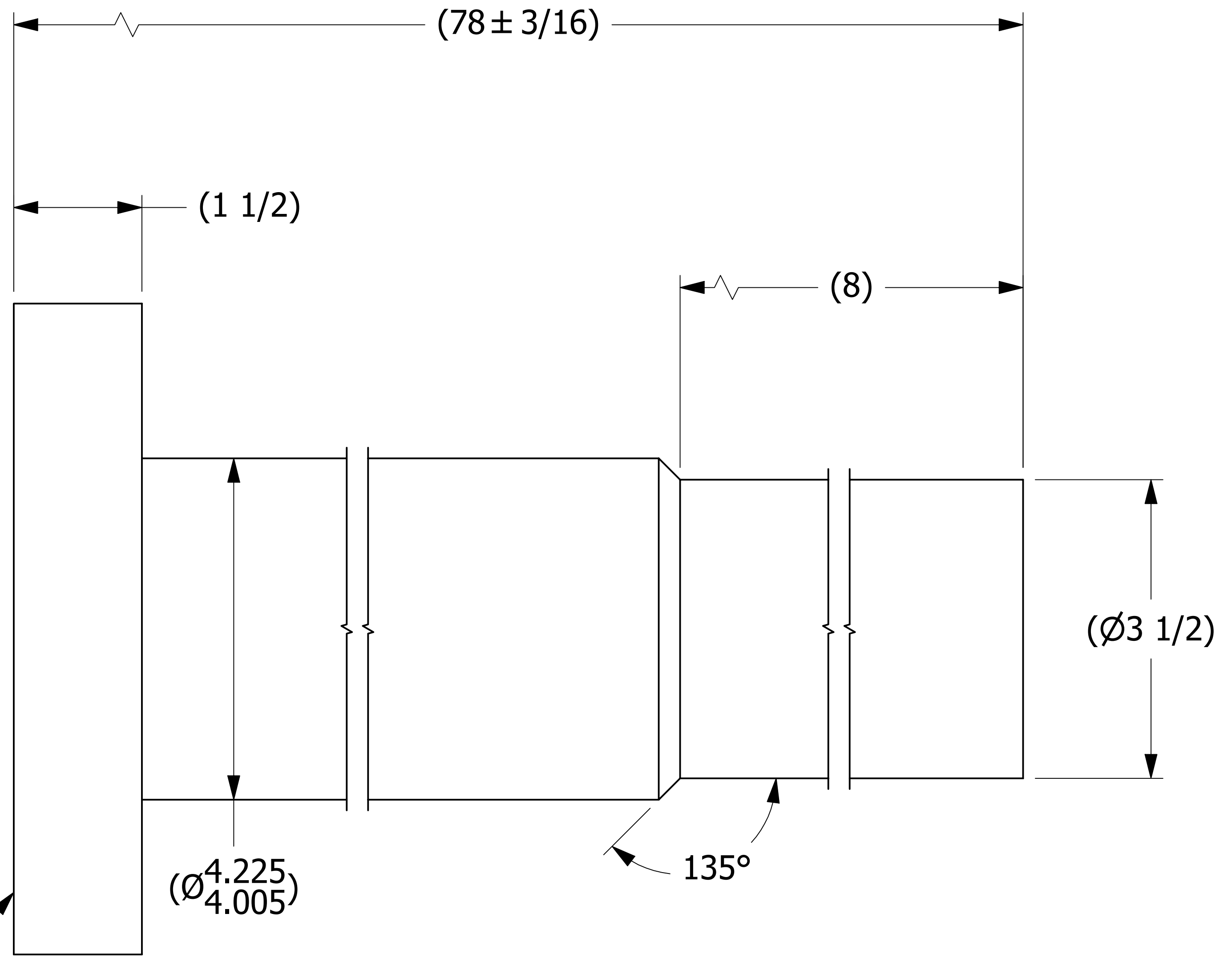


SALES DRAWING

SALES DRAWING



SERRATED GASKET SURFACE



NOTE:  
CAN BE SHORTENED UP TO 5 3/4" [146mm].

A	TAK	12-18-15	RELEASED FOR PRODUCTION
REV	BY	DATE	DESCRIPTION

UNLESS OTHERWISE SPECIFIED DIMENSIONAL TOLERANCES FRACTIONAL: $\pm 1/16$ X.XX: $\pm .03$ X.XXX: $\pm .015$ ANGULAR: $\pm 1^\circ$ DEBURR ALL SHARP EDGES. ALL MACHINED SURFACES TO HAVE A 125 RMS FINISH UNLESS NOTED OTHERWISE. THIRD ANGLE PROJECTION	DRAWN BY:	TAK
	CHECKED BY:	JRO
	PROTOTYPE BY:	TAK
	PROTOTYPE DATE:	10/13/2015
	APPROVED FOR PRODUCTION BY:	TAK
	PRODUCTION DATE:	12/18/2015

<b>SALCO PRODUCTS, INC.</b>		
PART NAME: <b>FLANGED PIPE STUB 3"</b>		
MATERIAL: <b>SALCO PE</b>		
PROJECT #: <b>H151006</b>	SHEET #: <b>1 OF 1</b>	SCALE: <b>1:1</b>
DRAWING #: <b>D42495</b>	PART #: <b>HS3PST78BK</b>	